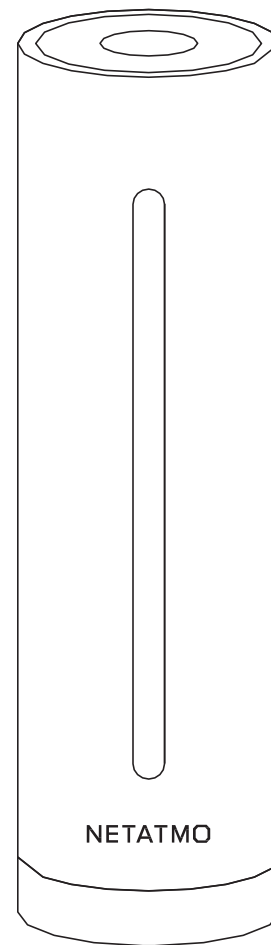


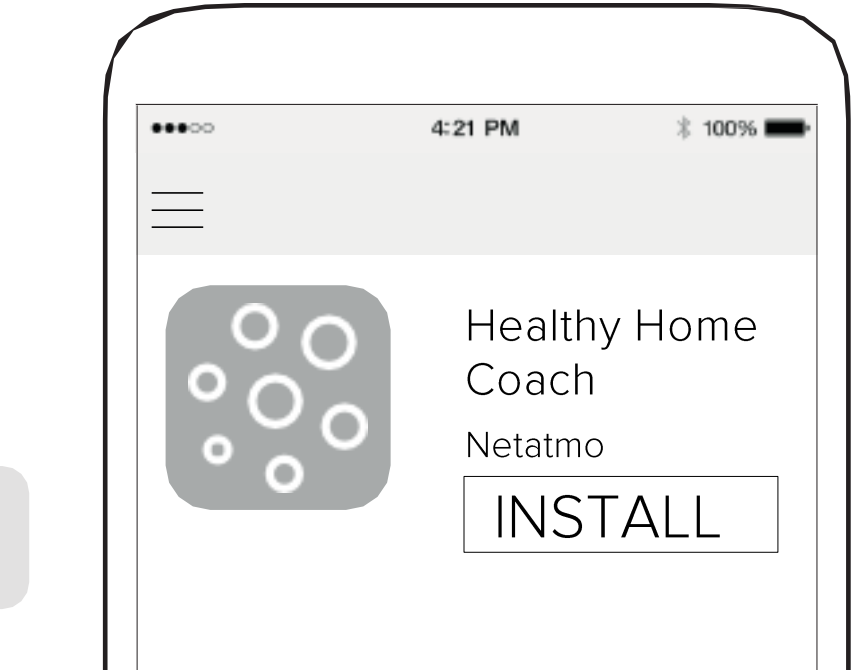
NETATMO

Μονάδα ποιότητας αέρα

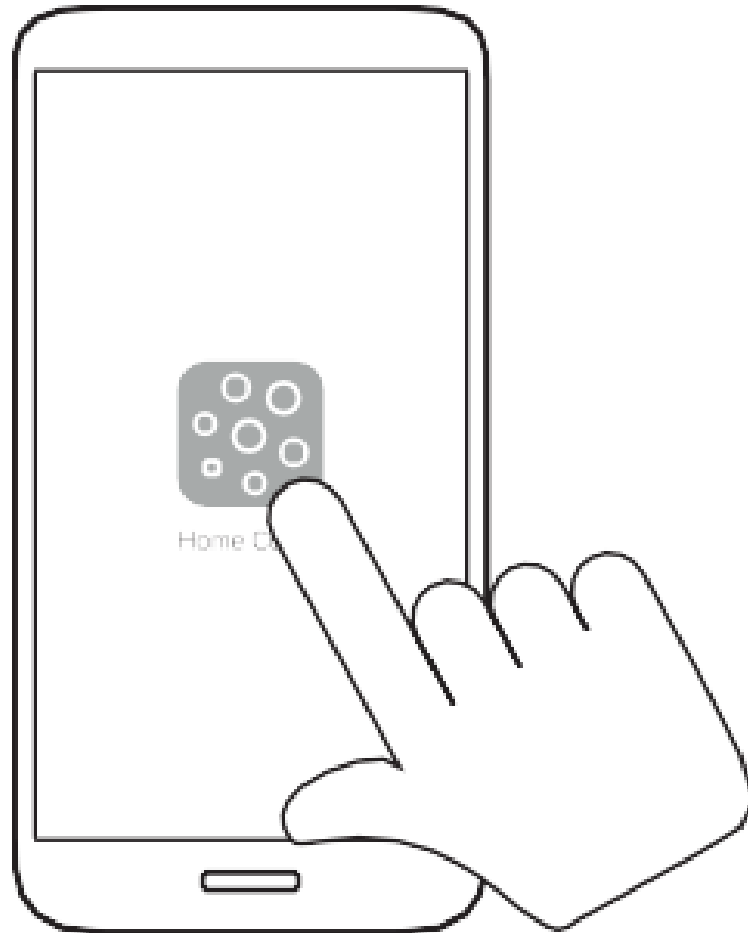


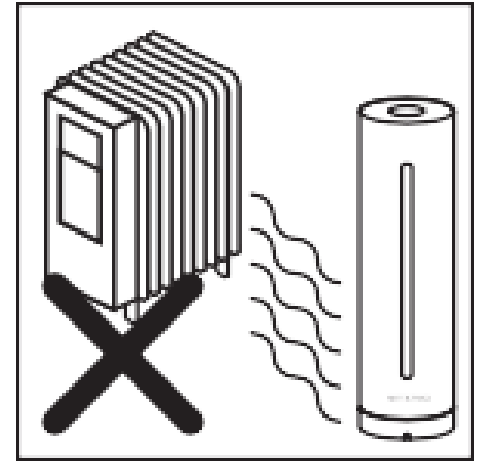
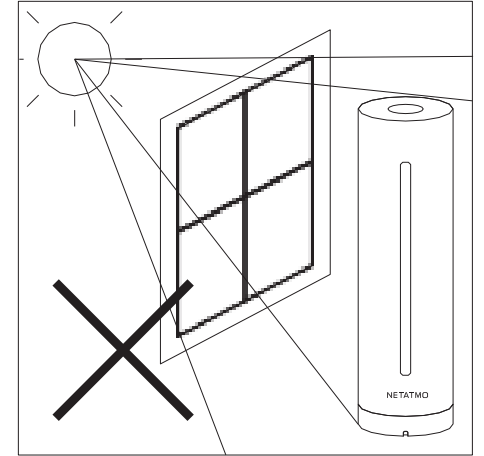
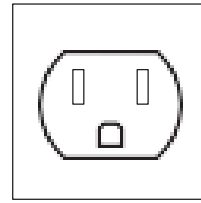
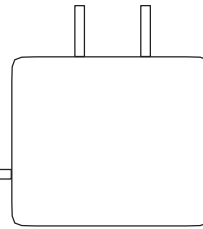
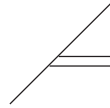
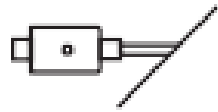
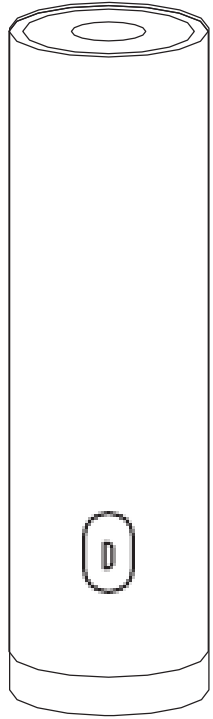


 Healthy Home Coach



<http://homecoach.netatmo.com>





FCC Statement

This equipment has been tested and found to comply with the limits for a Class B digital device, pursuant to part 15 of the FCC rules. These limits are designed to provide reasonable protection against harmful interference in a residential installation.

This equipment generates, uses and can radiate radio frequency energy and, if not installed and used in accordance with the instructions, may cause harmful interference to radio communications. However, there is no guarantee that interference will not occur in a particular installation.

If this equipment does cause harmful interference to radio or television reception, which can be determined by turning the equipment off and on, the user is encouraged to try to correct the interference by one or more of the following measures:

- Reorient or relocate the receiving antenna.
- Increase the separation between the equipment and receiver.
- Connect the equipment into an outlet on a circuit different from that to which the receiver is connected.
- Consult the dealer or an experienced radio/TV technician for help.

Should you need further certification information (FCC ID, IC) please open the cover at the bottom of the product by rotating it counterclockwise with the palm of your hand.

FCC Radiation Exposure Statement

This equipment complies with FCC RF radiation exposure limits set forth for an uncontrolled environment. This transmitter should be installed and operated with a minimum distance of 20 centimeters between the radiator and your body and must not be co-located or operating in conjunction with any other antenna or transmitter. This equipment complies with Part 15 of the FCC Rules. Operation is subject to the following two conditions:

- (1) This device may not cause harmful interference, and
- (2) This device must accept any interference received, including interference that may cause undesired operation.

Caution!

Any changes or modifications to this unit not expressly approved by the party responsible for compliance could void the user's authority to operate the equipment.

HomeKit

Controlling this HomeKit-enabled accessory away from home requires an Apple TV (3rd generation or later) with Apple TV software 7.0 or later and an iPhone, iPad, or iPod touch with iOS 8.1 or later.

Legal notice

Use of the Works with Apple HomeKit logo means that an electronic accessory has been designed to connect specifically to iPod, iPhone, or iPad, respectively, and has been certified by the developer to meet Apple performance standards. Apple is not responsible for the operation of this device or its compliance with safety and regulatory standards.

Google Play and the Google Play logo are trademarks of Google Inc.

Safety warnings

This device is not intended for use by persons (including children) with reduced physical, sensory or mental capabilities, or lack of experience and knowledge, unless they have been given supervision or instruction concerning use of the appliance by a person responsible for their safety.

Children should be supervised to ensure that they do not play with the appliance. Use only with supplied USB wall adaptor. The USB wall adaptor is for indoor use only.

Consignes de sécurité

Cet appareil n'est pas destiné à être utilisé par des personnes (notamment des enfants) dont les capacités physiques, sensorielles ou mentales sont réduites, ou qui n'ont pas d'expérience et de connaissances, à moins qu'elles ne soient surveillées ou instruites concernant l'utilisation de l'appareil par une personne responsable de leur sécurité. Les enfants doivent être surveillés pour s'assurer qu'ils ne jouent pas avec l'appareil. Utilisez uniquement l'adaptateur USB fourni. Cet adaptateur ne doit être utilisé qu'en intérieur.

Canadian Compliance Statement

This device complies with Industry Canada license-exempt RSS standard(s). Operation is subject to the following two conditions: (1) this device may not cause interference, and (2) this device must accept any interference, including interference that may cause undesired operation of the device.

Cet appareil est conforme aux normes CNR exemptes de licence d'Industrie Canada. Le fonctionnement est soumis aux deux conditions suivantes: (1) cet appareil ne doit pas provoquer d'interférences et (2) cet appareil doit accepter toute interférence, y compris celles susceptibles de provoquer un fonctionnement non souhaité de l'appareil.

This Class B digital apparatus complies with Canadian ICES-003.

Cet appareil numérique de la classe B est conforme à la norme NMB-003 du Canada.

This device and its antenna(s) must not be co-located or operating in conjunction with any other antenna or transmitter.

Cet appareil et son antenne (s) ne doit pas être co-localisés ou fonctionnant en conjonction avec une autre antenne ou transmetteur.

Taiwan Wireless Statements

無線設備的警告聲明

本產品符合低功率電波輻射性電機管理辦法第十二條、第十四條等條文規定:

- 1.經型式認證合格之低功率射頻電機，非經許可，公司、商號或使用者均不得擅自變更頻率、加大功率或變更原設計之特性及功能。
- 2.低功率射頻電機之使用不得影響飛航安全及干擾合法通信；經發現有干擾現象時，應立即停用，並改善至無干擾時方得繼續使用。前項合法通信，指依電信法規定作業之無線電通信。低功率射頻電機須忍受合法通信或工業、科學及醫療用電波輻射性電機設備之干擾。

Limited warranty for purchases within Australia.

Our goods come with guarantees that cannot be excluded under the Australian Consumer Law. You are entitled to a replacement or refund for a major failure and compensation for any other reasonably foreseeable loss or damage. You are also entitled to have the goods repaired or replaced if the goods fail to be of acceptable quality and the failure does not amount to a major failure. The company giving the warranty (the warrantor) is Netatmo Limited., 18/F Wanchai Central Bldg., 89 Lockhart Rd, Wanchai, Hong Kong, contact-support@netatmo.com or contact your local reseller for assistance. The warranty applies for a period of 12 months from purchase from an authorised Netatmo reseller. Any faults or defects arisen from misuse or normal wear and tear are not covered by warranty. Any modifications to products will void the warranty. Items not covered by warranty are components that are expected to be replaced regularly, including without limitation: batteries and bracelets. The warrantor has the right to request the return of the product at your expense. The warranty does not cover any consequential loss or damage.

English - Hereby, Netatmo declares that this NHC01 is in compliance with the essential requirements and other relevant provisions of Directive 2014/53/ EU and ROHS 2011/65/EC. The original EU declaration of conformity may be found at <http://www.netatmo.com/declaration/nhc>.

Español [Spanish] - Por medio de la presente Netatmo declara que el NHC01 cumple con los requisitos esenciales y cualesquiera otras disposiciones aplicables o exigibles de la Directiva 2014/53/EU y ROHS 2011/65/CE. El original de la declaración de conformidad UE se puede encontrar en <http://www.netatmo.com/declaration/nhc>.

Ελληνικά [Greek] - Με το παρόν, η Netatmo δηλώνει ότι η παρούσα συσκευή NHC01 συμμορφώνεται με τις απαιτήσεις και τις λοιπές σχετικές διατάξεις της Οδηγίας 2014/53/EU και ROHS 2011/65/EK.

Μπορείτε να βρείτε ένα αντίγραφο της πλήρους δήλωσης συμμόρφωσης στη διεύθυνση <http://www.netatmo.com/declaration/nhc>.

Français [French] - Par la présente Netatmo déclare que l'appareil NHC01 est conforme aux exigences essentielles et aux autres dispositions pertinentes de la directive 2014/53/EU et ROHS 2011/65/CE. La déclaration de conformité UE originelle est disponible sur <http://www.netatmo.com/declaration/nhc>.

Hrvatski [Croatian] - Ovime, Netatmo izjavljuje da je ovaj NHC01 u skladu s osnovnim zahtjevima i drugim relevantnim odredbama Direktive 2014/53/EU i ROHS 2011/65/EC. Kopija pune Izjave o sukladnosti može se preuzeti na <http://www.netatmo.com/declaration/nhc>.

Italiano [Italian] - Con la presente Netatmo dichiara che questo NHC01 è

conforme ai requisiti essenziali ed alle altre disposizioni pertinenti stabilite dalla direttiva 2014/53/EU e ROHS 2011/65/CE.

La dichiarazione di conformità UE originale si trova a <http://www.netatmo.com/declaration/nhc>.

Latviski [Latvian] - Ar šo Netatmo deklarē, ka NHC01 atbilst Direktīvas 2014/53/EU un ROHS 2011/65/EK būtiskajām prasībām un citiem ar to saistītajiem noteikumiem. Pilnas atbilstības deklarācijas kopiju var iegūt vietnē <http://www.netatmo.com/declaration/nhc>.

Lietuvių [Lithuanian] - Šiuo Netatmo deklaruoja, kad šis NHC01 atitinka esminius reikalavimus ir kitas 2014/53/EU ir ROHS 2011/65/EB Direktyvos nuostatas. Originali EU atitikties deklaracija yra <http://www.netatmo.com/declaration/nhc>.

Nederlands [Dutch] - Hierbij verklaart Netatmo dat het toestel NHC01 in overeenstemming is met de essentiële eisen en de andere relevante bepalingen van richtlijn 2014/53/EU en ROHS 2011/65/EG.

De oorspronkelijke EU-verklaring van overeenstemming is te vinden op <http://www.netatmo.com/declaration/nhc>.

Malti [Maltese] - Hawnhekk, Netatmo, jiddikjara li dan NHC01 jikkonforma mal-htigijiet essenzjali u ma provvedimenti oħrajn rilevanti li hemm fid-Dirrettiva 2014/53/EU u ROHS 2011/65/EC. Kopja tad-Dikjarazzjoni sħiħa ta 'konformità tista' tinkiseb fuq <http://www.netatmo.com/declaration/nhc>.

Magyar [Hungarian] - Alulírott, Netatmo nyilatkozom, hogy a NHC01 megfelel a vonatkozó alapvető követelményeknek és az 2014/53/EU i ROHS 2011/65/EC irányelvegyébelőírásainak. Azeredeti EU megfelelőségnyilatkozat megtalálható

Directivei 2014/53/EU și ROHS anului 2011/65/CE. O copie a declarației de conformitate completă poate fi obținută la <http://www.netatmo.com/declaration/nhc>.

Slovensko [Slovenian] - Netatmo izjavlja, da je ta NHC01 v skladu z bistvenimi zahtevami in ostalimi relevantnimi določili direktive 2014/53/ EU in ROHS 2011/65/ES. Kopijo celotne izjave o skladnosti najdete na spletni povezavi <http://www.netatmo.com/declaration/nhc>.

Slovensky [Slovak] - Netatmo týmto vyhlasuje, že NHC01 spĺňa základné požiadavky a všetky príslušné ustanovenia Smernice 2014/53/EU a ROHS 2011/65/ES. Úplné znenie Vyhlásenia o zhode nájdete na webovej stránke <http://www.netatmo.com/declaration/nhc>.

Suomi [Finnish] - Netatmo vakuuttaa täten että NHC01 tyyppinen laite on direktiivin 2014/53/EU ja ROHS 2011/65/EY oleellisten vaatimusten ja sitä koskevien direktiivin muiden ehtojen mukainen. Alkuperäinen EU-vaatimustenmukaisuusvakuutus on osoitteesta <http://www.netatmo.com/declaration/nhc>.

Türkçe [Turkish] - Netatmo, bu NHC01'in 2014/53/EU ve ROHS 2011/65/ EC Yönetmeliğinin temel şartlarına ve diğer ilgili hükümlerine uygun olduğunu beyan eder. Tam uygunluk beyanının bir kopyası <http://www.netatmo.com/declaration/nhc> adresinden edinilebilir.

български [Bulgarian] - С настоящото Netatmo декларира, че това

NHC01 е в съответствие със съществените изисквания и другите приложими разпоредби на Директива 2014/53/EU и ROHS 2011/65/EC. Копие от пълния декларацията за съответствие може да бъде получена <http://www.netatmo.com/declaration/nhc>.

<http://www.netatmo.com/declaration/nhc>

Netatmo SAS
93, rue nationale – 92100Boulogne-Billancourt

Boulogne-Billancourt, 01/06/2017
CEO
Frédéric POTTER



Copyright Netatmo (c) 2017. All rights reserved.
Reproduction and distribution prohibited without written authorization from Netatmo.



Product Model: NHC01
FCC ID: N3A-NHC01
IC: 10860A-NHC01

NETATMO

HomeKit setup code

② <http://support.netatmo.com>